

Step 4.2 – Getting the Bottom Panel Ready

Locate the door panel with the aluminum or PVC weather-strip retainer fastened to the edge of the bottom panel. Place this bottom panel flat on the saw horses with the exterior side face down (*See figure 4.2.A*). Be sure to cover the saw horse with carpet or cloth so as not to scratch the panels.

***Remove The Plastic Film From The Insulated Panel.**

You will notice on the panel, dent(s) of 1/16" x 1/8" (1.6mm x 3.2mm) in diameter. This is where the center hinge is to be screwed on the panel.

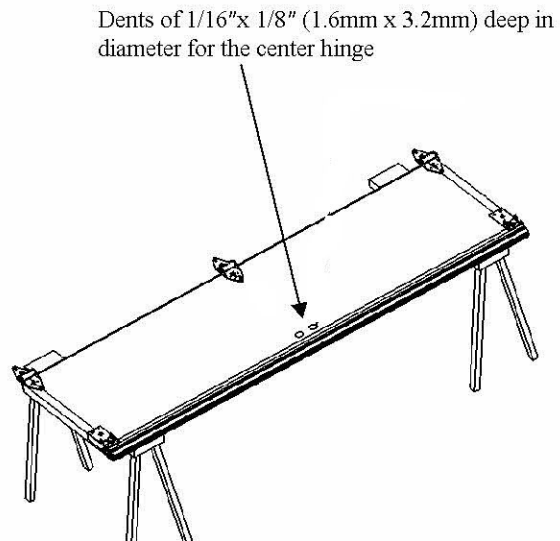


Figure 4.2.A: Installing hardware bottom door section