

6.1 - Intermediate Panels

The intermediate panels are installed the same way as the bottom section. Before installing the second panel, check if a lock assembly (bar lock or struts) was supplied with the door as an option. If so, it will be easier to install this accessory now that the panel is on the sawhorses.

Install the roller into the right hinge. Lift the panel and ease the roller into the track, placing the second panel on top of the first *as shown in figure 6.1*. The third panel is installed the same way.

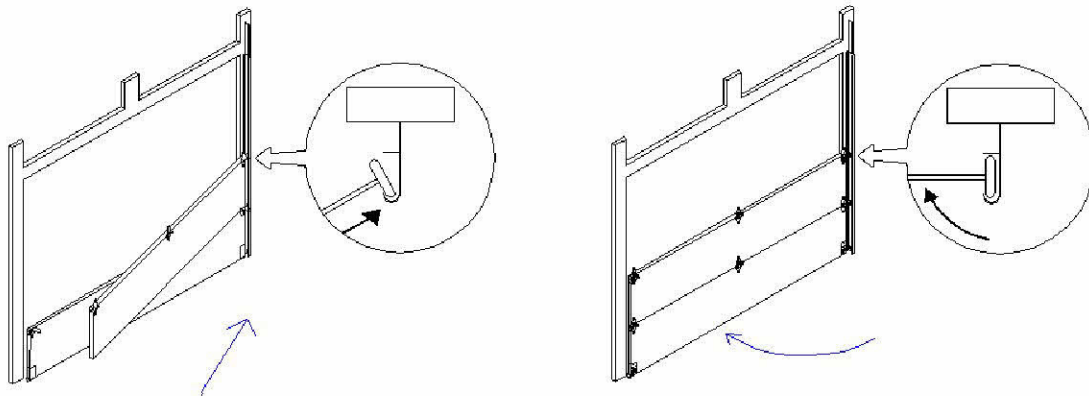


Figure 6.1: Installation of the intermediate panels

***Proceed to the installation of the Horizontal tracks referred to page 17 to 24 before installing that last panel. It will be easier to install and adjust the top panel with the tracks installed.**